

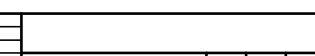
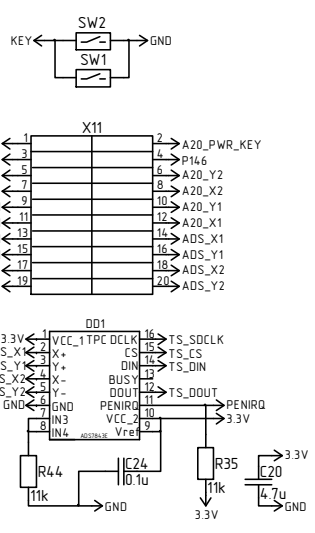
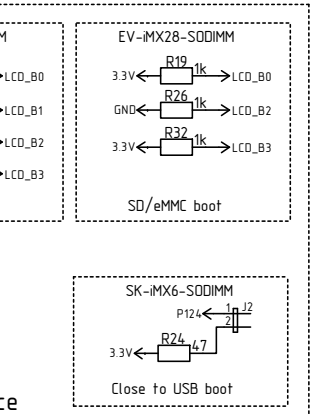
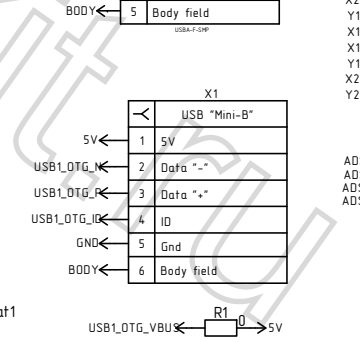
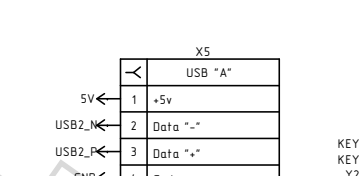
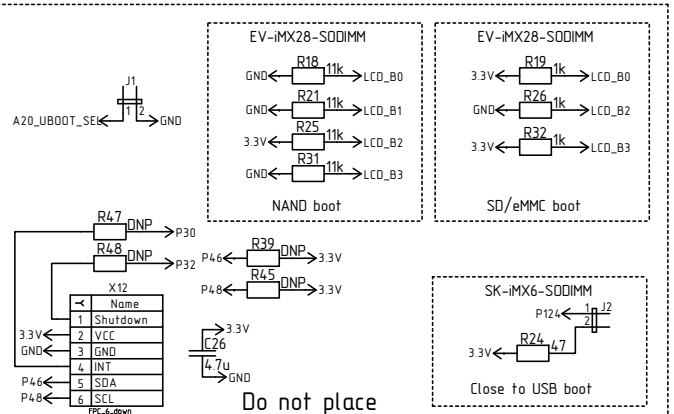
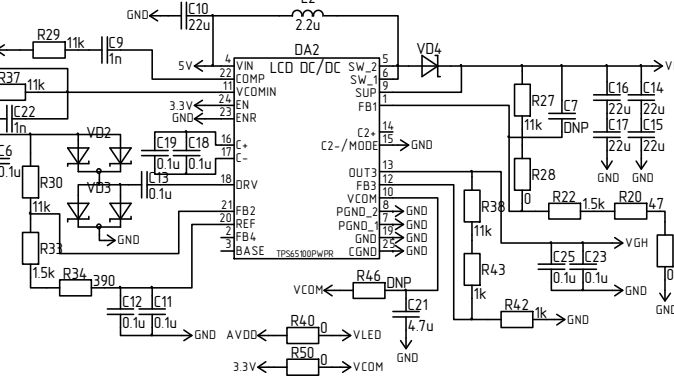
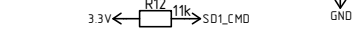
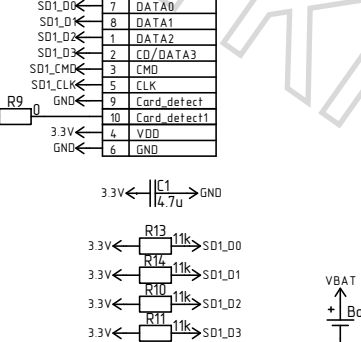
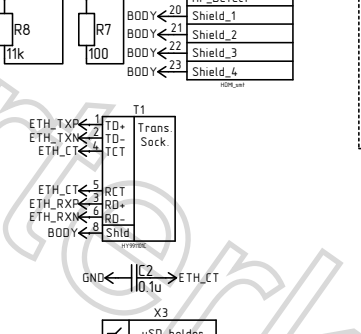
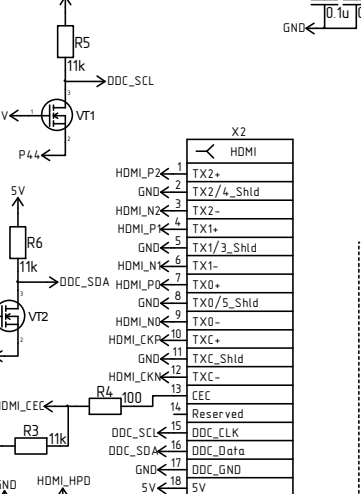
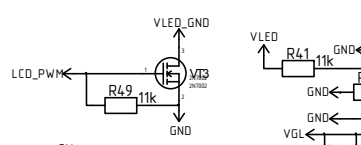
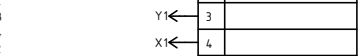
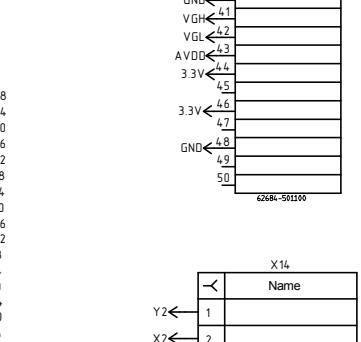
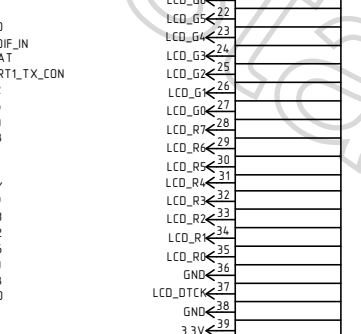
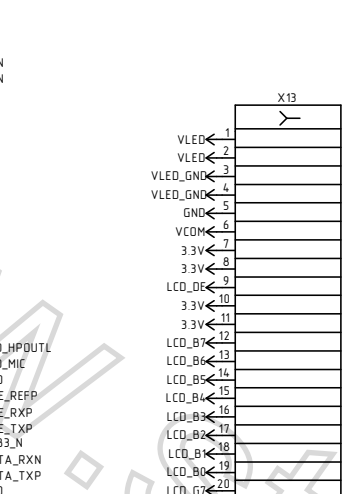
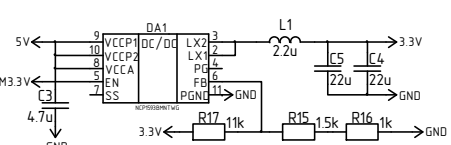
X6			
P4.1	41	SD0_D1	IC1L_SDA
P4.3	43	SD0_D2	IC1L_SCL
P4.5	45	SD0_D3	IC2C_SDA
P4.7	47	SD0_D4	IC2C_SCL
P4.9	49	RESERVED	RESERVED
P4.11	51	RESERVED	RESERVED
P4.13	53	RESERVED	RESERVED
P4.15	55	RESERVED	RESERVED
P4.17	57	RESERVED	RESERVED
P4.19	59	RESERVED	RESERVED
P4.21	61	RESERVED	RESERVED
P4.23	63	RESERVED	RESERVED
P4.25	65	RESERVED	RESERVED
P4.27	67	RESERVED	RESERVED
P4.29	69	RESERVED	RESERVED
P4.31	71	RESERVED	RESERVED
P4.33	73	RESERVED	RESERVED
P4.35	75	RESERVED	RESERVED
P4.37	77	RESERVED	RESERVED
P4.39	79	RESERVED	RESERVED
P4.41	81	RESERVED	RESERVED
P4.43	83	RESERVED	RESERVED
P4.45	85	RESERVED	RESERVED
P4.47	87	RESERVED	RESERVED
P4.49	89	RESERVED	RESERVED
P4.51	91	RESERVED	RESERVED
P4.53	93	RESERVED	RESERVED
P4.55	95	RESERVED	RESERVED
P4.57	97	RESERVED	RESERVED
P4.59	99	RESERVED	RESERVED
P4.61	101	RESERVED	RESERVED
P4.63	103	RESERVED	RESERVED
P4.65	105	RESERVED	RESERVED
P4.67	107	RESERVED	RESERVED
P4.69	109	RESERVED	RESERVED
P4.71	111	RESERVED	RESERVED
P4.73	113	RESERVED	RESERVED
P4.75	115	RESERVED	RESERVED
P4.77	117	RESERVED	RESERVED
P4.79	119	RESERVED	RESERVED
P4.81	121	RESERVED	RESERVED
P4.83	123	RESERVED	RESERVED
P4.85	125	RESERVED	RESERVED
P4.87	127	RESERVED	RESERVED
P4.89	129	RESERVED	RESERVED
P4.91	131	RESERVED	RESERVED
P4.93	133	RESERVED	RESERVED
P4.95	135	RESERVED	RESERVED
P4.97	137	RESERVED	RESERVED
P4.99	139	RESERVED	RESERVED
P4.101	141	RESERVED	RESERVED
P4.103	143	RESERVED	RESERVED
P4.105	145	RESERVED	RESERVED
P4.107	147	RESERVED	RESERVED
P4.109	149	RESERVED	RESERVED
P4.111	151	RESERVED	RESERVED
P4.113	153	RESERVED	RESERVED
P4.115	155	RESERVED	RESERVED
P4.117	157	RESERVED	RESERVED
P4.119	159	RESERVED	RESERVED
P4.121	161	RESERVED	RESERVED
P4.123	163	RESERVED	RESERVED
P4.125	165	RESERVED	RESERVED
P4.127	167	RESERVED	RESERVED
P4.129	169	RESERVED	RESERVED
P4.131	171	RESERVED	RESERVED
P4.133	173	RESERVED	RESERVED
P4.135	175	RESERVED	RESERVED
P4.137	177	RESERVED	RESERVED
P4.139	179	RESERVED	RESERVED
P4.141	181	RESERVED	RESERVED
P4.143	183	RESERVED	RESERVED
P4.145	185	RESERVED	RESERVED
P4.147	187	RESERVED	RESERVED
P4.149	189	RESERVED	RESERVED
P4.151	191	RESERVED	RESERVED
P4.153	193	RESERVED	RESERVED
P4.155	195	RESERVED	RESERVED
P4.157	197	RESERVED	RESERVED
P4.159	199	RESERVED	RESERVED
P4.161	201	RESERVED	RESERVED
P4.163	203	RESERVED	RESERVED
P4.165	205	RESERVED	RESERVED
P4.167	207	RESERVED	RESERVED
P4.169	209	RESERVED	RESERVED
P4.171	211	RESERVED	RESERVED
P4.173	213	RESERVED	RESERVED
P4.175	215	RESERVED	RESERVED
P4.177	217	RESERVED	RESERVED
P4.179	219	RESERVED	RESERVED
P4.181	221	RESERVED	RESERVED
P4.183	223	RESERVED	RESERVED
P4.185	225	RESERVED	RESERVED
P4.187	227	RESERVED	RESERVED
P4.189	229	RESERVED	RESERVED
P4.191	231	RESERVED	RESERVED
P4.193	233	RESERVED	RESERVED
P4.195	235	RESERVED	RESERVED
P4.197	237	RESERVED	RESERVED
P4.199	239	RESERVED	RESERVED

X6			
SV	2	SV	2
SV	3	SV	3
SV	4	SV	4
SV	5	SV	5
SV	6	SV	6
SV	7	SV	7
SV	8	SV	8
SV	9	SV	9
SV	10	SV	10
SV	11	SV	11
SV	12	SV	12
SV	13	SV	13
SV	14	SV	14
SV	15	SV	15
SV	16	SV	16
SV	17	SV	17
SV	18	SV	18
SV	19	SV	19
SV	20	SV	20
SV	21	SV	21
SV	22	SV	22
SV	23	SV	23
SV	24	SV	24
SV	25	SV	25
SV	26	SV	26
SV	27	SV	27
SV	28	SV	28
SV	29	SV	29
SV	30	SV	30
SV	31	SV	31
SV	32	SV	32
SV	33	SV	33
SV	34	SV	34
SV	35	SV	35
SV	36	SV	36
SV	37	SV	37
SV	38	SV	38
SV	39	SV	39
SV	40	SV	40

X7			
A20_HP0UR	1	A20_HP0UTL	2
A20_HP0CN	3	A20_MIE	4
A20_HP0REFN	5	GND	6
A20_HP0WAIT	7	GND	8
A20_HP0RXN	9	PCIE_REFP	10
A20_HP0TXN	11	PCIE_RXP	12
A20_HP0TXN	13	PCIE_TXP	14
A20_HP0RXN	15	SATA_RXN	16
A20_HP0TXN	17	SATA_TXP	18
A20_HP0GND	19	GND	20

X8			
GND	1	GND	2
SPDIF_OUT	3	SPDIF_IN	4
RESET	5	VBAT	6
UART1_RX_CON	7	UART1_TX_CON	8
P24	9	P22	10
P28	11	P26	12
P32	13	P30	14
P40	15	P38	16
P44	17	P42	18
P48	19	P46	20
P52	21	P50	22
P56	23	P54	24
P60	25	P58	26
P64	27	P62	28
P68	29	P66	30
P72	31	P70	32
P76	33	P74	34
P80	35	P78	36
P84	37	P82	38
P88	39	P86	40

X9			
GND	1	Name	
UART1_RX_CON	2		
UART1_TX_CON	3		
3.3V	4		



SK-LCD800x480-MB  
www.starterkit.ru  
V1A