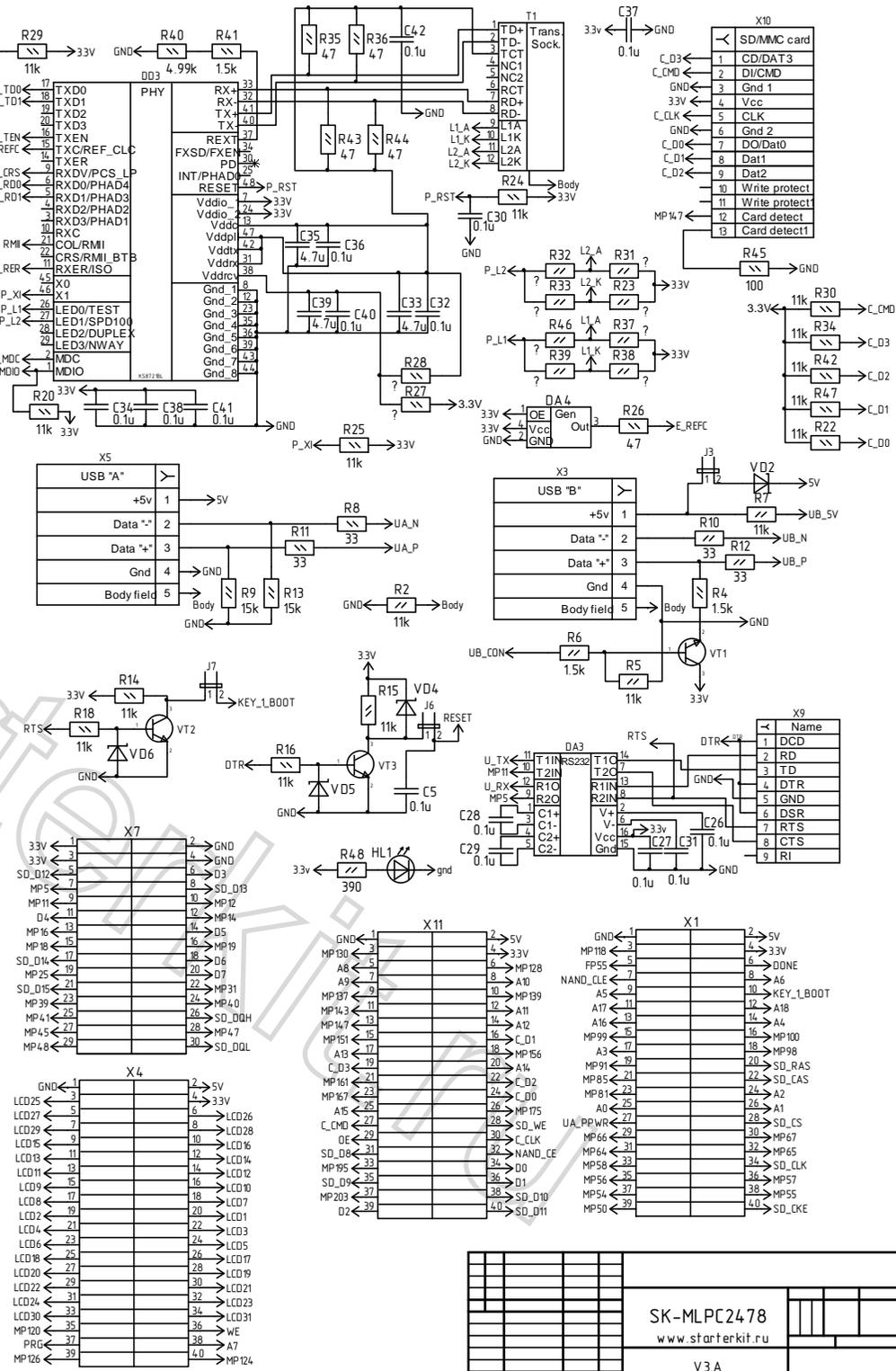


DD2 ARM7

- P0[0]RD1/TX/D3/SDA1
- P0[1]TD1/RXD3/SC1
- P0[2]TXD1
- P0[3]RXD1
- P0[4]I2SRX_CLK/L0/RD2/CAP1
- P0[5]I2SRX_WS/L11/TD2/CAP2
- P0[6]I2SRX_SDA/L8/SSEL1/MAT1
- P0[7]I2STX_CLK/L9/SCK1/MAT2
- P0[8]I2STX_WS/L6/L1/MOS1/MAT3
- P0[9]I2STX_SDA/L17/MOS1/MAT3
- P0[10]TXD2/SDA2/MAT3
- P0[11]RXD2/SC/L2/MAT3
- P0[12]USB_PPWR2/MOS1/AD0
- P0[13]USB_UP_LED2/CONNECT2/SS
- P0[14]USB_HSTEN2/USB_CONNECT2/SS
- P0[15]TXD1/SCK0/SC1
- P0[16]RXD1/SSEL0/SS2
- P0[17]CTS1/MISO0/MOS1
- P0[18]DCD1/MOS0/MOS1
- P0[19]DSR1/MCICMD/SC1
- P0[20]DTR1/MCICMD/SC1
- P0[21]R1/MCIPWR/AD1
- P0[22]RTS1/MCIDAT0/T0
- P0[23]AD0[0]I2SRX_CLK/CAP8
- P0[24]AD0[1]I2SRX_WS/CAP9
- P0[25]AD0[2]I2STX_CLK/CAP10
- P0[26]AD0[3]AOUT/RX1
- P0[27]SDA2
- P0[28]SCL2
- P0[29]USB_DP
- P0[30]USB_DM
- P0[31]USB_PP
- P0[32]USB_DN
- P1[0]ENET_TXD0
- P1[1]ENET_TXD1
- P1[2]ENET_TXD2/MCICLK/PWM1
- P1[3]ENET_TXD3/CMD/PWM0
- P1[4]ENET_TX_EN56
- P1[5]ENET_TX_ER/MCIPWR/PWM5
- P1[6]ENET_TX_CLK/MCIDAT0/PWM1
- P1[7]ENET_COL/MCIDAT1/PWM0
- P1[8]ENET_CRS_DV/ENET_CRS
- P1[9]ENET_RXD0
- P1[10]ENET_RXD1
- P1[11]ENET_RXD2/MCIDAT2/PWM3
- P1[12]ENET_RXD3/MCIDAT3/PCAP1
- P1[13]ENET_RX_D0
- P1[14]ENET_RX_D1
- P1[15]ENET_REFCLK/ENET_MDIO
- P1[16]ENET_MDIO
- P1[17]ENET_MDIO
- P1[18]USB_UP_LED1/PWM11/CAP1
- P1[19]USB_TX_E1/USB_PPWR1/CAP1
- P1[20]USB_TX_DP/L1/L0/L10/PWM12/SS
- P1[21]USB_TX_DM/L1/L11/PWM13/SS
- P1[22]USB_RXV1/L8/L12/USB_PPWR1/MAT1
- P1[23]USB_RX_DP1/L9/L13/PWM14/MAT2
- P1[24]USB_RX_DM1/L10/L14/PWM15/MAT3
- P1[25]USB_LS1/L11/L15/USB_HSTEN1/MAT1
- P1[26]USB_SS/PND1/L12/L20/PWM16/CAP1
- P1[27]USB_INT1/L13/L21/USB_OVRCR2/L10
- P1[28]USB_SCL1/L14/L22/PCAP10/MAT1
- P1[29]USB_SDA1/L15/L23/PCAP11/MAT1
- P1[30]USB_PPWR2/VBUS/AD0
- P1[31]USB_OVRCR2/SCK1/AD0
- P2[0]PWM1[1]/TXD1/TRACECLK/CDP1
- P2[1]PWM1[2]/RXD1/PIPESTAT0/CLD1
- P2[2]PWM1[3]/CTS1/PIPESTAT1/CLD1
- P2[3]PWM1[4]/DCD1/PIPESTAT2/CLD1
- P2[4]PWM1[5]/DSR1/RACESYNCL/CDENAL/CDP1
- P2[5]PWM1[6]/DTR1/TRACEPKT0/CLD1
- P2[6]PCAP10/R1/TRACEPKT1/L10
- P2[7]RD2/RTS1/TRACEPKT2/L11
- P2[8]TxD2/TX2/TRACEPKT3/L12
- P2[9]USB_CONNECT1/RXD2/EXTIN0/L3
- P2[10]EINT0
- P2[11]EINT1/CDCLKIN/MCIDAT1/2ISTX
- P2[12]EINT2/L4/L3/L18/L18/MCIDAT1/2ISTX
- P2[13]EINT3/L5/L9/L19/MCIDAT3/2ISTX
- P2[14]CS2/CAP2[0]SD
- P2[15]CS3/CAP2[1]SC
- P2[16]CA
- P2[17]R1A
- P2[18]CLKOUT
- P2[19]CLKOUT
- P2[20]DYCS2
- P2[21]DYCS2
- P2[22]DYCS2/CAP3[0]SC
- P2[23]DYCS2/CAP3[1]SC
- P2[24]CKEOUT
- P2[25]CKEOUT
- P2[26]CKEOUT2/MAT3[0]MS
- P2[27]CKEOUT3/MAT3[1]MS
- P2[28]DQMOUT1
- P2[29]DQMOUT2
- P2[30]DQMOUT3/MAT3[2]SD
- P2[31]DQMOUT3/MAT3[3]SC



SK-MLPC2478
www.starterkit.ru

V3.A